

# C-SERIES C10,000

The multi-directional forklift designed for the safe, space saving and productive handling of long and bulky loads.

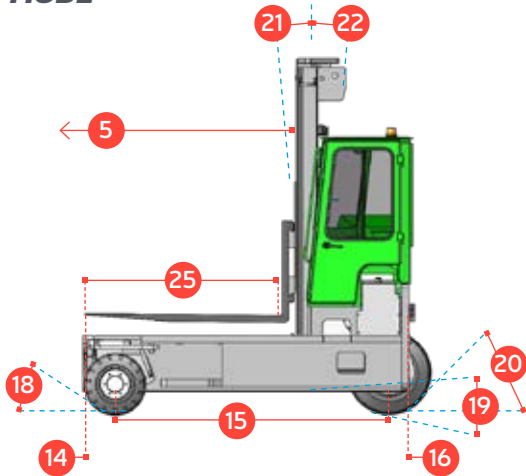
# COMBiLiFT

LIFTING INNOVATION

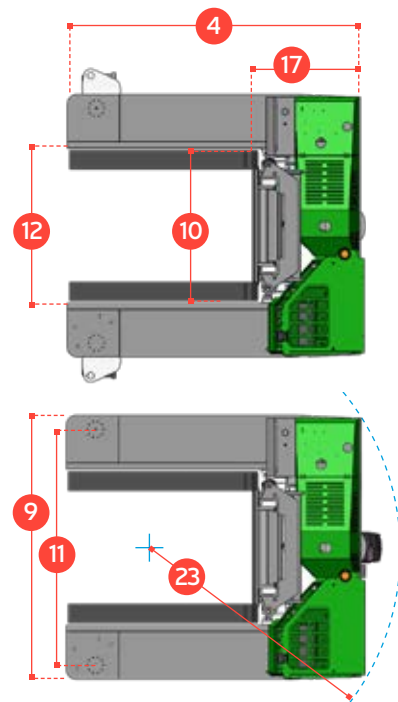
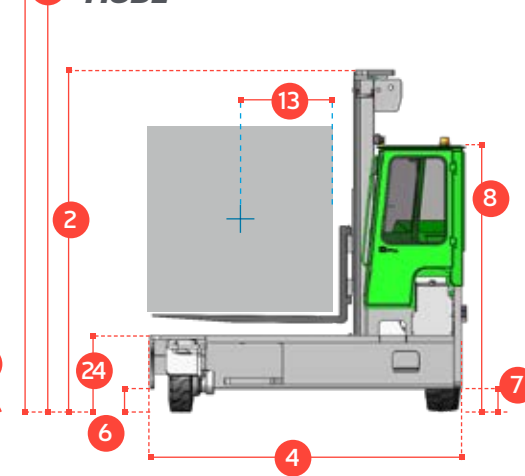


# C-SERIES C10,000

## FRONTAL MODE

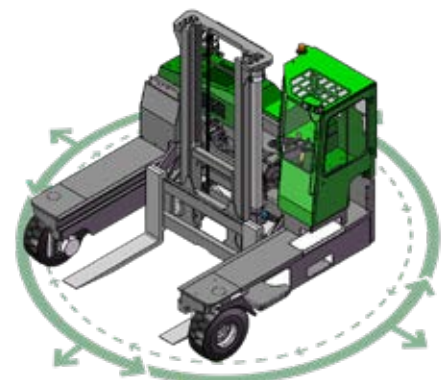


## SIeward MODE



REF.	DESCRIPTION	C10,000
1a	Max. Lift Height	4100 mm
1b	Free Lift Height	0mm
2	Height Mast Closed	3450mm
3	Max. Mast Raised	5800mm
4	Overall Length	3070mm
5	Mast travel	1730mm
6	Ground Clearance Under Mast	290mm
7	Ground Clearance to Centre of Wheelbase	165mm
8	Height Over Cab (Without work lights)	2700mm
9	Width	2800mm
10	Outside Spread of Fork Arms	1600mm
11	Track Front	2500mm
12	Frame Opening	1650mm
13	Load Centre Distance	600mm
14	Overhang Front	307mm
15	Wheelbase	2555mm
16	Overhang Back	208mm
17	Length from Face of Fork	1380mm
18	Approach Angle	45°
19	Ramp Angle	29°
20	Departure Angle	45°
21	Forward Tilt	3°
22	Backward Tilt	5°
23	Minimum Outside Radius	3100mm
24	Platform Height	770mm
25	Platform Length	1690mm

## Multi-Directional



## Features Include:

- Rubber Mounted Half Open Cabin
- Multi-Directional Operation
- 3 Wheel Hydrostatic Drive
- Load Sensing Steering
- 4 Way Lever Positioning of Wheels
- Hydraulic Oil Cooler

## Distributed by:

A	Capacity	10,000 kg
B	Unladen Weight	13,400 kg
C	Maximum Ground Speed	14 km/h
D	Gradeability	15%
E	Kubota V3800 -TE Diesel / 4.3 ltr GM LPG	74 kW / 72 kW
F	Electrics	12 Volt
G	Fork Section	65mm x 200mm x 1690mm
H	22 x 12 - 16 Front Tyre	OD 645mm / Width 305mm
I	840 / 340 - 559 Rear Tyre	OD 840mm / Width 350mm
J	Standard Colour	Green & Grey
K	Suspension Seat	KAB Model 116

European Patent No. 2167416; Brazilian Patent No. P10811954-6; Australian Patent No. 2008253242

COMBILIFT HAS A POLICY OF CONTINUOUS PRODUCT DEVELOPMENT AND RESERVES THE RIGHT TO ALTER SPECIFICATIONS WITHOUT PRIOR NOTICE. SPECIFICATIONS AND/OR DIMENSIONS MAY VARY FROM THOSE ILLUSTRATED IN SOME COUNTRIES.