



# COMBiLiFT

## C2500-C3000

Customised Handling Solution



**three machines in one**

Counterbalance Forklift > Aisle Truck > Side Loader

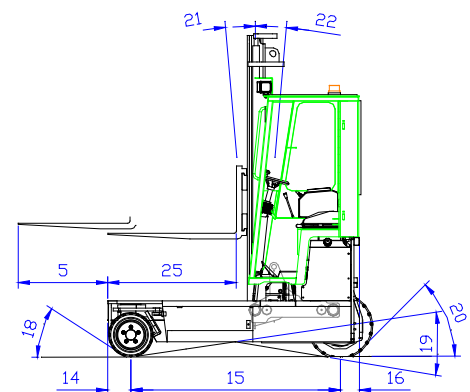
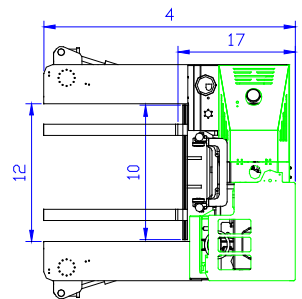
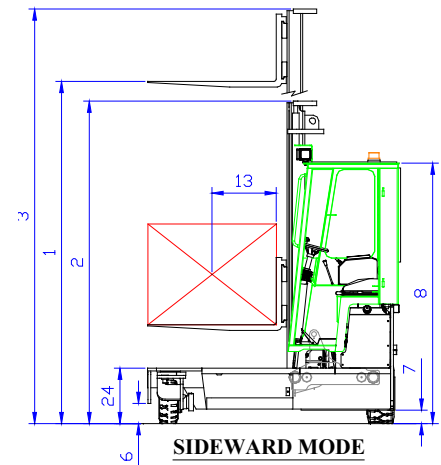
[www.COMBiLiFT.com](http://www.COMBiLiFT.com)



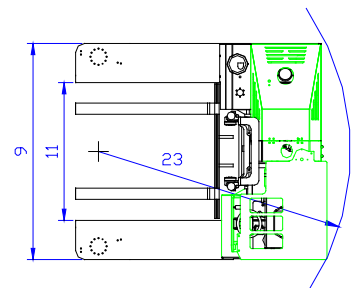
# SPECIFICATIONS

# MODEL C2500-C3000

REF	DESCRIPTION	C2500	C3000
1a	Standard Lift Height		4040 mm
1b	Free Lift Height		0mm
2	Height Mast Closed		2655mm
3	Max. (Mast Raised)		4760mm
4	Overall Length	1900mm	2250mm
5	Mast Travel	850mm	1200mm
6	Ground Clearance Under Mast		150mm
7	Ground Clearance to Wheelbase Centre		135mm
8	Height Over Cab or of Overhead Guard		2345mm
9	Width		1930mm
10	Outside Spread of Fork Arms		1200mm
11	Track Front		1730mm
12	Frame Opening		1230mm
13	Load Centre Distance		600mm
14	Overhang Front		205mm
15	Wheel Base	1528mm	1878mm
16	Overhang Back		167mm
17	Length from Face of Fork		1100mm
18	Approach Angle		45 °
19	Ramp Angle		17°
20	Departure Angle		45 °
21	Forward Tilt		2°
22	Backward Tilt		4 °
23	Minimum Outside Radius	1905mm	2200mm
24	Platform Height		495mm
25	Platform Length	800mm	1150mm
A	Capacity	2500kg	3000kg
B	Unladen Weight	4500kg	4900kg
C	Maximum Ground Speed		14km/h
D	Gradeability		10%
E	Kubota V1505-T Diesel/ 3 ltr GM LPG		32kW/ 48kW
F	Electric's		12 Volt
G	Fork Sections 50mm x 150mm x	800mm	1150mm
H	16 x 7 - 10.5 Front Tyre (Solid)		OD406mm / Width 178mm
I	23 x 10-12 Rear Tyre (Super Elastic)		OD 720mm/ Width 295mm
J	Standard Colour		Green and Grey
K	Suspension Seat		KAB Model 211



**FRONTAL MODE**



**FEATURES INCLUDE:**

- Rubber Mounted Half Open Cabin
- Multi-Direction Operation
- 3 Wheel Hydrostatic Drive
- Load Sensing Steering
- 4 Way Lever Positioning of Wheels
- Hydraulic Oil Cooler

Distributed by:

**COMBiLiFT**

Co. Monaghan  
Ireland

T: +353 47 80500

F: +353 47 80501

E: info@combilift.com

[www.COMBiLiFT.com](http://www.COMBiLiFT.com)