

adaptalift



forklift hire ■ sales ■ service ■ parts

XT SERIES

H1.5-3.5XT 1500 - 3500 KG

INTERNAL COMBUSTION
COUNTERBALANCED
FORKLIFT



**THE SOLUTION TO YOUR
APPLICATION NEEDS**

13 22 54

aalhysterforklifts.com.au

XT SERIES

H1.5-3.5XT 1500 - 3500 KG

INTERNAL COMBUSTION
COUNTERBALANCED
FORKLIFT

THE SOLUTION TO YOUR APPLICATION NEEDS

The Hyster® XT range represents a breakthrough in how lift trucks are designed, built and acquired. It starts with a commitment to quality and dependability, incorporating proven design processes and systems to deliver a class-leading product.

For the development of the product range, Hyster invested heavily in the best virtual, bench and field-testing equipment and processes in the industry and has ensured that only components of the highest quality are included in the truck. In addition, investments have been made in state-of-the-art manufacturing systems and processes to ensure unmatched Hyster quality.

As you would expect from Hyster, the trucks developed from this rigorous process boast the lowest cost of operation, maximum uptime, operator preferred ergonomics and unmatched performance.

Hyster XT - The Solution to your Application Needs



SETTING THE STANDARD FOR OPERATIONAL EFFICIENCY

Innovative Cooling System

The cooling system operates at lower temperatures. This offers significant improvement when it comes to cooling air flow, increasing component life and minimising the risk of overheating in heavy-duty applications. Optimised ducting and high volume tunnels allow Hyster XT lift trucks to run longer in a cooler state. Radiators are shockproof mounted for long life.

Hyster XT transmissions gear profiles are optimised to reduce operator noise in conjunction with isolated powertrain, minimising operator fatigue and improving comfort.

HSM™ Stability System

The maintenance free HSM enhances lateral stability without compromising uneven surface travel, through reducing truck lean by limiting the articulation of the steer axle.

Integrated Dash Display

- Hour meter, date, time and alarm
- Travel speed/load weight indicator
- Coolant temperature level and fuel gauge indicator
- Password entry
- Error codes
- Visual warnings; battery charge, engine oil pressure

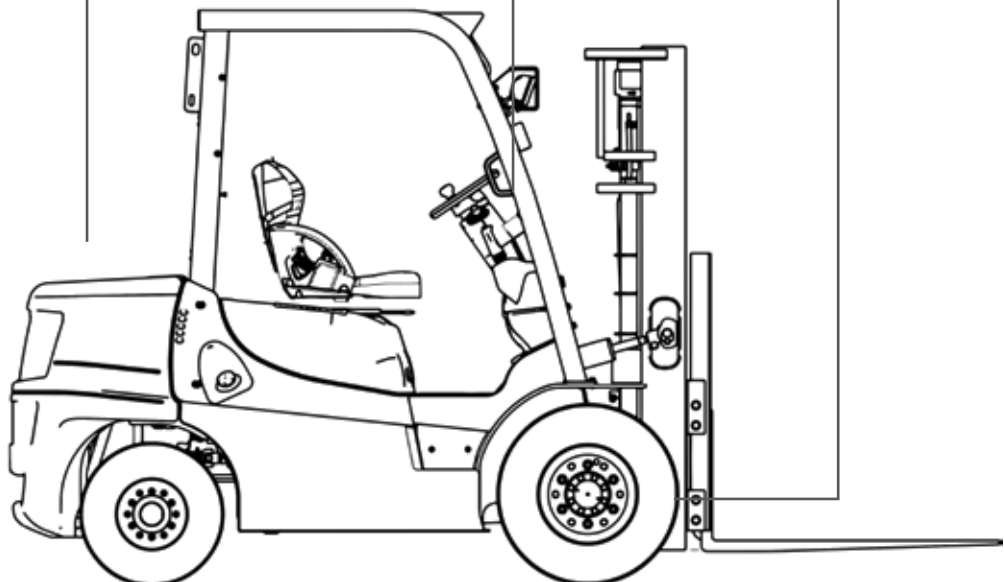


● Maximised airflow for enhanced cooling

● Serpentine or square wave radiator – all models

● Dash display

● HSM





XT SERIES

H1.5-3.5XT 1500 - 3500 KG

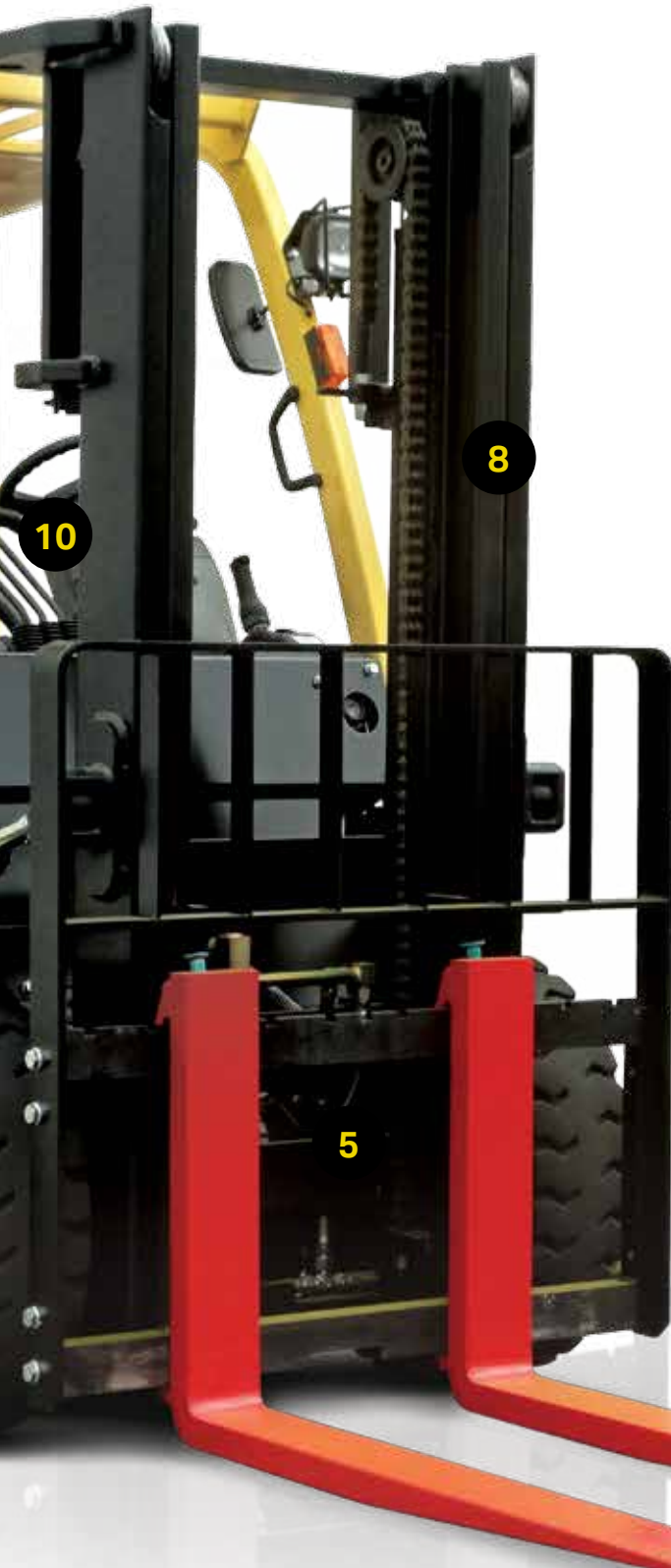
INTERNAL COMBUSTION
COUNTERBALANCED
FORKLIFT

ADVANCED FEATURES

- **HSM™ STABILITY SYSTEM**
Hyster Stability Mechanism™ reduces truck lean in turns, improving lateral stability. The design enables the operator to travel over uneven surfaces with confidence.
- **REVERSE ASSIST GRIP***
The rear grab handle provides an excellent hand hold for reverse driving while giving easy access to the auxiliary horn button.
- **SYSTEM AND OPERATIONAL ALERTS**
Audible and visible operational alerts including signal lights, rotating beacons and reverse buzzer.
- **ERGONOMIC SEAT**
Operators can select their desired seating position with fore/aft and backrest recline adjustment. The weight adjustment knob on the full suspension seat ensures the most suitable suspension for the individual.
- **SIDE SHIFT***
Optional feature for adjusting and aligning loaded goods. It has a new structure to facilitate utmost productivity.



* Optional Feature



6



ALL WEATHER STEEL CABIN*

Steel cabin protects the operator and provides comfort under harsh working conditions. Optional cabin fan is also available.

7



EASY OPERATOR ACCESS

The low wide step, ample shoulder clearance and flow lined design of engine hood ensures easy operator accessibility upon unit ingress/egress.

8



EXCLUSIVE VISTA™ MAST

The high strength design improves capacity retention at high lifts. Excellent visibility and rigidity for this class of truck.

9



OPERATOR PRESENCE SYSTEM

Traction Interlock prevents travel and Hydraulic Interlock prevents use of hydraulic function when operator is not seated.

10



ERGONOMIC STEERING COLUMN

The infinitely adjustable tilt steer column allows operators to easily obtain a comfortable driving position. The 300mm diameter steering wheel is offset to the left for even greater driver comfort.

XT SERIES

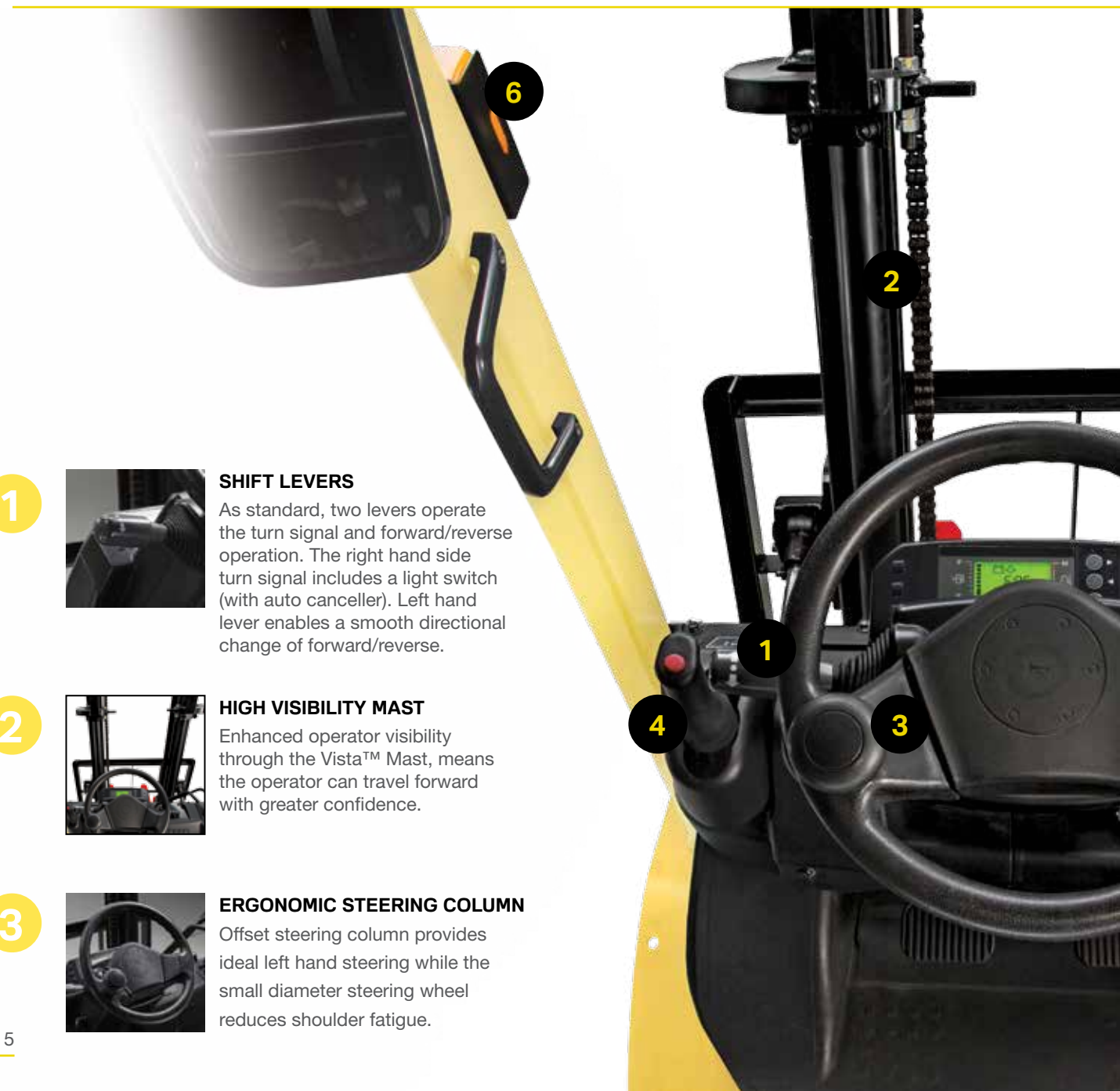
H1.5-3.5XT 1500 - 3500 KG

INTERNAL COMBUSTION
COUNTERBALANCED
FORKLIFT

ENHANCED PRODUCTIVITY

Productivity means moving more of your loads in less time with less cost. The development of the Hyster® XT range has focused on boosting performance to increase productivity and meet application requirements.

Take the hydraulic control module with shorter reach and throw levers requiring less effort to operate. Or the exceptional user visibility afforded for this class of truck by the Hyster Vista™ mast. In fact, wherever you look in the cabin, there's a feature designed to add to the comfort of the operator, from the low step height to the fully adjustable



1



SHIFT LEVERS

As standard, two levers operate the turn signal and forward/reverse operation. The right hand side turn signal includes a light switch (with auto canceller). Left hand lever enables a smooth directional change of forward/reverse.

2



HIGH VISIBILITY MAST

Enhanced operator visibility through the Vista™ Mast, means the operator can travel forward with greater confidence.

3



ERGONOMIC STEERING COLUMN

Offset steering column provides ideal left hand steering while the small diameter steering wheel reduces shoulder fatigue.

1

2

4

3

6



suspension seat, from the integrated dash display to the rear drive handle with horn. Add other operator friendly features such as the low noise hydraulic pump and cabin together with the seamless forward and reverse directional changes, controlled through two optional methods, being the steer column mounted directional lever or the foot

directional control monontrol and it's easy to see why drivers love the XT – and employers love the way it increases their productivity. This increased productivity results in significant savings in materials handling costs through reduced operating expenses, labour costs and operator overtime and increased throughput.



4



PARKING LEVER

This small stroke lever makes setting the brake easy. Lever includes a release button.

5



INCHING PEDALS*

Two types of inching pedals are available to increase the load speed. Pedals are on a suspended mount to free floor space.

6



LED LIGHTS*

Brighter and longer lasting bulbs for side, reverse, rear, brake and direction indicators.


* Optional Feature

5


OPERATORS PREFER HYSTER® XT LIFT TRUCKS


The Hyster XT offers a wide range of ergonomic and technologically advanced features, which have been adapted over years of operator feedback.


This has led to operators having a preference for Hyster XT lift trucks in order to optimise the efficiency of warehouse operations.

1  **TRACTION INTERLOCK**
- when operator is not present
The Traction Interlock function automatically reverts the truck to neutral when an operator is not seated. This prevents incidents caused by unintentional operations, such as pushing the accelerator pedal when the machine is not occupied.

4  **OVERHEAD GUARD**
The unique grid-style pattern improves visibility while protecting operators and strengthening the truck's structure.

2  **HYDRAULIC INTERLOCK**
- when operator is not seated
The Hydraulic Interlock function automatically disables the load levers when an operator is not seated. This prevents incidents caused by unintentional operations of the levers.

5  **ISOLATED POWERTRAIN**
Helps to ensure that the operator remains comfortable and productive throughout the shift. The drivetrain is fully isolated through the use of elastomeric mounts for the engine and transmission.

3  **HIGH VISIBILITY MAST**
Enhanced operator visibility through the Vista™ Mast, means the operator can travel forward with greater confidence.

6  **DRIVING COMFORT**
Small steering wheel and adjustable steering column coupled with synchronous steering creates a comfortable and secure working environment.

7

3
POINT
ENTRY

EASY-TO-USE 3-POINT ENTRY DESIGN

Enables easy entry and exit and reduces muscle and joint stress. The truck features an open non-slip step with an optimised height and allows access from both sides.

9



HYDROSTATIC STEER AXLE

The elastomeric-mounted Hyster designed steer axle provides maximum durability and superior steering control for easy manoeuvring and low maintenance.

8



EXCHANGE™ BRACKET

Allowed for simple, quick exchanges of the LPG bottle – the bracket swings out and a gas-spring assisted cylinder lowers into a reclined and locked position.



XT SERIES

H1.5-3.5XT 1500 - 3500 KG

INTERNAL COMBUSTION
COUNTERBALANCED
FORKLIFT

CUTTING DOWN DOWNTIME

The Hyster® XT Series doesn't just make it easier to carry out vital servicing tasks, it's a truck that has been designed to actually require less maintenance.

Hyster XT lift trucks offer best in class service access with a one-piece, rearopening hood providing cowl-to-counterweight access. An easy to remove floor plate requires no tools and offers complete access to the powertrain. Equipped with V-ECU the XT's truck functions are continuously monitored and keeps the operator fully



EASY MAINTENANCE

One piece, easy opening hood allows for easy access to the engine. Full access is available by removing the rear panel.



INTEGRATED DASH DISPLAY

The integrated dash displays the most relevant information to the truck's current status. By actively showing service reminders and error codes, as well as warning indicators, it enables optimisation of lift truck diagnosis, reducing overall down time.

* Comprises of 1 year/2000 hours on complete truck and 3 years/3000 hours on powertrain.



informed of service needs. There's also state of the art on-board diagnostics on the advanced dash display to communicate error codes, enabling quick and accurate repairs. What's more, when maintenance does need to take place, the XT is designed to make servicing as fast, convenient and simple as possible. It's extremely

easy to perform engine compartment daily checks, check and replenish coolant levels and remove the radiator filler cap. All backed up by the most dependable and most comprehensive parts availability in the industry, the Hyster XT gives you a greater degree of control over the efficiency and uptime of your operation than ever before.



EXTENDED SERVICE INTERVALS

Periodic scheduled maintenance intervals have been extended to 500 hours for diesel and Petrol/LPG engines. Engine coolant and hydraulic oil change intervals have been extended to 4000 hours which help to reduce labour costs, as well as downtime.

XT SERIES

H1.5-3.5XT 1500 - 3500 KG

INTERNAL COMBUSTION
COUNTERBALANCED
FORKLIFT

TOTAL TRUCK RELIABILITY

With the XT Series from Hyster, total reliability comes built in. Put simply, every last component has been designed to provide long-lasting performance day in, day out, year after year.

Rugged durability is at the heart of the XT. Robust clutch packs, stronger gears and shafts, powertrain protection systems, enhanced monitoring – they all help to boost reliability, maximise uptime and keep your truck performing at its best. There's also a cooling system creating airflow through optimised ducting and high volume tunnels, helping to dramatically increase component life and minimise the risk of overheating in heavy duty applications.

From shock-proof mounted radiators to the check valves incorporated into the cushioned lift cylinders of the world-renowned Hyster® mast design, from the sealed connectors that enable the entire truck to be pressure washed to create leak-free joints, the XT delivers worldclass reliability. By utilising cutting edge technology and superior manufacturing facilities, Hyster engineers have delivered the highest serviceability ratings in the industry.

With the reputation for delivering world-class product reliability and to show our confidence in the XT series, it makes sense to back them with industry leading warranty. That's why Hyster is offering the XT series with a standard 3 years/3,000 hours* manufacturer warranty and a lifetime chassis warranty.

LOW COST OF OWNERSHIP BUILT IN



The Hyster XT has been designed to help you lower your ownership costs in all types of applications, through offering a wide range of engine options to suit the application need.

The XT range is not only fuel efficient but has a longer tyre life and reduced brake wear contributing to reduced service time.

For example, the available Load Sensing Hydraulics system delivers increased operational efficiency, as the engine only supplies power to the hydraulic pumps when required.

This delivers increased responsiveness and acceleration, which helps to maximise productivity and lower fuel consumption, reducing overall operating costs.

This, combined with a 30% decrease in downtime, makes the Hyster XT series an exceptionally smart choice.

MANAGE COST, OPTIMISE PRODUCTIVITY AND PROTECT YOUR ASSETS



FORKTRACK

ForkTrack combines advanced safety features with an unprecedented level of fleet efficiency, offering reduced fleet running costs, instant monitoring and control, real-time web based reporting, and operator accountability and performance.

FORKTRACK PRODUCT FEATURES:

Standard Features

- Intelligent Seat/Seatbelt Interlock
- Operator ID Controls
- Pre-Start Safety Checklist
- Impact Detection
- Impact Shutdown
- Handbrake Interlock
- Transmission Control
- Engine Vital Monitoring

THE FORKTRACK SOLUTION:

- Protects Employees
- Ensure OH&S Compliance
- Mitigates insurance claim exposure
- Provide Online Fleet Reporting

Advanced Features

- Digital Weight Indicator
- Speed & Zone Control
- Lift/Tilt Lockout
- Overload Lockout
- Automatic Email Alerts
- Battery Management System
- Online Reporting

SPECIFICATIONS

SPECIFICATION					Dual Fuel/LPG						
	MANUFACTURER				HYSTER						
	1	Model			H1.5XT	H1.8XT	H2.0XTS	H2.0XT	H2.5XT	H3.0XT	H3.5XT
2	Capacity		kg	1500	1750	2000	2000	2500	3000	3500	
3	Load centre		mm	500	500	500	500	500	500	500	
4	Tyres			Pneumatic	Pneumatic	Pneumatic	Pneumatic	Pneumatic	Pneumatic	Pneumatic	
5	Wheels	No. front/rear (x=Drive)		2X/2	2X/2	2X/2	2X/2	2X/2	2X/2	2X/2	
DIMENSIONS	9	Lift height		mm	A	3000	3000	3000	3000	3000	3000
	10	Standard free lift		mm	B	145	145	150	155	160	165
	11	Fork carriage	Carriage width/ITA class		H	920/2	920/2	920/2	1020/2	1020/2	1070/3
	12	Fork	Thickness/width/length	mm		35/100/920	35/100/920	40/122/920	40/122/920	40/122/1070	45/122/1070
	13	Tilt of mast	Forward/backward	deg	C/D	6/10	6/10	6/10	6/10	6/10	6/10
	14	Fork spread	Max/min	mm	M/N	915/205	915/205	910/250	1010/250	1010/250	1060/305
	15	Overall length	Length to tip of forks	mm	F+G	3200	3240	3275	3470	3685	3835
	16	Truck length	Length to face of forks	mm	G	2280	2320	2355	2550	2615	2765
	17	Overall width	Tyre/frame	mm		1070/1070	1135/1070	1135/1070	1160/1140	1160/1140	1235/1140
	18	Overall width	Tyre/frame (Dual tread)	mm		1190/1070	1190/1070	1190/1070	1590/1140	1590/1140	1590/1140
	19	Height	Height with lowered mast	mm	P	1995	1995	1995	1995	1995	2060
	20	Height	Height with extended mast	mm	K	4105	4105	4105	4120	4120	4125
	21	Height	Height of overhead guard canopy	mm	J	2060	2060	2060	2130	2130	2150
22	Seat height		mm		920	920	920	990	990	1010	
23	Turning radius		mm	E	1960	1995	2030	2185	2245	2365	
24	Load length 'X'	Centre of front wheel to face of forks	mm		410	410	415	465	465	490	
25	Right angle stacking aisle width	Add load length and clearance	mm		2165	2205	2240	2470	2530	2650	
26	Travel speed	Laden/unladen with standard engine	km/h		18/19	18/19.5	18/19.5	18/19.5	18/19.5	19/20	
27	Travel speed	Laden/unladen with optional engine	km/h		NA	NA	NA	18/19.5	18/19.5	NA	
28	Lifting speed	Laden/unladen with standard engine	mm/s		625/680	615/680	615/680	525/580	515/580	515/575	
29	Lifting speed	Laden/unladen with optional engine	mm/s		NA	NA	NA	635/695	625/695	NA	
30	Lowering speed	Laden/unladen	mm/s		495/520	495/520	495/520	495/520	495/520	495/520	
31	Drawbar pull	Laden/unladen @ 1.5km/h with standard engine	N		19200	19100	19200	18900	18900	19000	
32	Drawbar pull	Laden/unladen @ 1.5km/h with optional engine	N		NA	NA	NA	20400	20500	NA	
33	Gradeability	Laden/unladen @ 1.5km/h with standard engine	%		37/24	33/22	30/20	30/26	26/22	24/22	
34	Gradeability	Laden/unladen @ 1.5km/h with optional engine	%		NA	NA	NA	35/26	30/22	NA	
WEIGHT	35	Unladen weight	Standard tread	kg	2620	2830	3050	3360	3690	4200	
	36	Axle loads	Laden front/rear	kg	3620/500	3990/590	4400/650	4730/630	5470/730	6360/840	
	37	Axle loads	Unladen front/rear	kg	1150/1470	1110/1720	1100/1950	1550/1810	1480/2210	1620/2580	
CHASSIS AND WHEELS	38	Tyre sizes	Front (standard tread)		6.00-9-10PR	21x8-9-14PR	21x8-9-14PR	7.00-12-12PR	7.00-12-12PR	28x9-15-12PR	
	39	Tyre sizes	Front (dual tread)		21x8-9-14PR	21x8-9-14PR	21x8-9-14PR	7.00-12-12PR	7.00-12-12PR	7.00-12-12PR	
	40	Tyre sizes	Rear		5.00-8-8PR	18x7-8-10PR	18x7-8-10PR	6.00-9-10PR	6.00-9-10PR	6.50-10-10PR	
	41	Wheelbase		mm	L	1410	1410	1410	1625	1625	
	42	Tread	Standard tread: front/rear	mm		915/905	950/930	950/930	970/1000	970/1000	
	43	Tread	Dual tread: front/rear	mm		1000/905	1000/930	1000/930	1405/1000	1405/1000	
	44	Ground clearance	At lowest point	mm	Q	110	110	110	120	120	
	45	Ground clearance	Centre of wheel base	mm		120	120	120	190	190	
46	Service brake	Mechanical/hydraulic/electric/pneumatic			Hydraulic	Hydraulic	Hydraulic	Hydraulic	Hydraulic		
47	Parking brake	Foot/hand/dead man break			Hand	Hand	Hand	Hand	Hand		
DRIVE	48	Standard engine	Manufacturer/model		GCT K21	GCT K21	GCT K21	GCT K21	GCT K21	GCT K25	
	49		Permanent output	kW	34	34	34	34	34	40	
	50		At revs	rpm	2250	2250	2250	2250	2250	2100	
	51	Optional engine	Rated torque	Nm/rpm	158/1600	158/1600	158/1600	158/1600	158/1600	186/1600	
	52		No. of cylinder/cubic capacity	cm ³	4/2065	4/2065	4/2065	4/2065	4/2065	4/2488	
	53		Manufacturer/model		NA	NA	NA	GCT K25	GCT K25	NA	
	54		Permanent output	kW	NA	NA	NA	40	40	NA	
	55	Optional engine	At revs	rpm	NA	NA	NA	2100	2100	NA	
	56		Rated torque	Nm/rpm	NA	NA	NA	186/1600	186/1600	NA	
	57		No. of cylinder/cubic capacity	cm ³	NA	NA	NA	4/2488	4/2488	NA	
58	Fuel tank	Ltr		52	52	52	69	69	69		
59	Fuel consumption	Ltr/h		☞	☞	☞	☞	☞	☞		
60	Transmission	With ICE drive			AT	AT	AT	AT	AT		
OTHERS	61	Working pressure	For attachments	Mpa	18.1	18.1	18.1	18.1	18.1	18.1	
	62	Noise level - standard engine	BITA/ISO Leq 3dB Doubling	dB(A)	☞	☞	☞	☞	☞	☞	

SPECIFICATIONS

SPECIFICATION					LPG - EFI						
	MANUFACTURER				HYSTER						
	1	2	3	4	H1.5XT	H1.8XT	H2.0XTS	H2.0XT	H2.5XT	H3.0XT	H3.5XT
2	Model				1500	1750	2000	2000	2500	3000	3500
3	Capacity		kg		500	500	500	500	500	500	500
4	Load centre		mm		Pneumatic	Pneumatic	Pneumatic	Pneumatic	Pneumatic	Pneumatic	Pneumatic
7	Tyres				2X/2	2X/2	2X/2	2X/2	2X/2	2X/2	2X/2
8	Wheels	No. front/rear (x=Drive)									
DIMENSIONS	9	Lift height		mm	A	3000	3000	3000	3000	3000	3000
	10	Standard free lift		mm	B	145	145	150	155	155	160
	12	Fork carriage	Carriage width/TA class		H	920/2	920/2	920/2	1020/2	1020/2	1070/3
	13	Fork	Thickness/width/length	mm		35/100/920	35/100/920	40/122/920	40/122/920	40/122/1070	45/122/1070
	14	Tilt of mast	Forward/backward	deg	C/D	6/10	6/10	6/10	6/10	6/10	6/10
		Fork spread	Max/min	mm	M/N	915/205	915/205	910/250	1010/250	1010/250	1060/250
		Overall length	Length to tip of forks	mm	F+G	3200	3240	3275	3470	3685	3835
	15	Truck length	Length to face of forks	mm	G	2280	2320	2355	2550	2615	2765
	16	Overall width	Tyre/frame	mm		1070/1070	1135/1070	1135/1070	1160/1140	1160/1140	1235/1140
	16A	Overall width	Tyre/frame (Dual tread)	mm		1190/1070	1190/1070	1190/1070	1590/1140	1590/1140	1590/1140
	17	Height	Height with lowered mast	mm	P	1995	1995	1995	1995	1995	2060
	18		Height with extended mast	mm	K	4105	4105	4105	4120	4120	4125
	19		Height of overhead guard canopy	mm	J	2060	2060	2060	2130	2130	2150
	20	Seat height		mm		920	920	920	990	990	1010
21	Turning radius		mm	E	1960	1995	2030	2185	2245	2365	
22	Load length 'X'	Centre of front wheel to face of forks	mm		410	410	415	465	465	490	
23	Right angle stacking aisle width	Add load length and clearance	mm		2165	2205	2240	2470	2530	2650	
PERFORMANCE	24	Travel speed	Laden/unladen with standard engine	km/h		18/19.5	18/19.5	18/19.5	18/19.5	18/19.5	19/20
			Laden/unladen with optional engine	km/h		18/19.5	18/19.5	18/19.5	18/19.5	18/19.5	19/20
	25	Lifting speed	Laden/unladen with standard engine	mm/s		675/700	675/700	670/700	685/710	680/710	565/585
			Laden/unladen with optional engine	mm/s		NA	NA	NA	NA	NA	NA
	26	Lowering speed	Laden/unladen	mm/s		515/540	515/540	515/540	515/540	515/540	515/540
	Drawbar pull	Laden/unladen @ 1.5km/h with standard engine	N		21900	21700	21800	25100	25200	23400	
		Laden/unladen @ 1.5km/h with optional engine	N		NA	NA	NA	NA	NA	NA	
	Gradeability	Laden/unladen @ 1.5km/h with standard engine	%		47/24	42/22	38/19	40/26	34/22	27/21	
		Laden/unladen @ 1.5km/h with optional engine	%		NA	NA	NA	NA	NA	NA	
WEIGHT	32	Unladen weight	Standard tread	kg		2620	2830	3050	3360	3690	4200
	33	Axle loads	Laden front/rear	kg		3620/500	3990/590	4400/650	4730/630	5470/730	6360/840
	34		Unladen front/rear	kg		1150/1470	1110/1720	1100/1950	1550/1810	1480/2210	1620/2580
CHASSIS AND WHEELS	36	Tyre sizes	Front (standard tread)			6.00-9-10PR	21x8-9-14PR	21x8-9-14PR	7.00-12-12PR	7.00-12-12PR	28x9-15-12PR
			Front (dual tread)			21x8-9-14PR	21x8-9-14PR	21x8-9-14PR	7.00-12-12PR	7.00-12-12PR	7.00-12-12PR
	37		Rear			5.00-8-8PR	18x7-8-10PR	18x7-8-10PR	6.00-9-10PR	6.00-9-10PR	6.50-10-10PR
	38	Wheelbase		mm	L	1410	1410	1410	1625	1625	1700
	39	Tread	Standard tread: front/rear	mm		915/905	950/930	950/930	970/1000	970/1000	1010/1000
	39A		Dual tread: front/rear	mm		1000/905	1000/930	1000/930	1405/1000	1405/1000	1405/1000
	40	Ground clearance	At lowest point	mm	Q	110	110	110	120	120	140
	41		Centre of wheel base	mm		120	120	120	190	190	210
	42	Service brake	Mechanical/hydraulic/electric/pneumatic			Hydraulic	Hydraulic	Hydraulic	Hydraulic	Hydraulic	Hydraulic
	43	Parking brake	Foot/hand/dead man break			Hand	Hand	Hand	Hand	Hand	Hand
DRIVE	49	Standard engine	Manufacturer/model			GCT K21	GCT K21	GCT K21	GCT K25	GCT K25	GCT K25
	50		Permanent output	kW		38.5	38.5	38.5	44.7	44.7	44.7
	51		At revs	rpm		2700	2700	2700	2700	2700	2700
			Rated torque	Nm/rpm		145/2000	145/2000	145/2000	169/1600	169/1600	169/1600
	52		No. of cylinder/cubic capacity	cm ³		4/2065	4/2065	4/2065	4/2488	4/2488	4/2488
	49	Optional engine	Manufacturer/model			NA	NA	NA	NA	NA	NA
	50		Permanent output	kW		NA	NA	NA	NA	NA	NA
	51		At revs	rpm		NA	NA	NA	NA	NA	NA
			Rated torque	Nm/rpm		NA	NA	NA	NA	NA	NA
	52		No. of cylinder/cubic capacity	cm ³		NA	NA	NA	NA	NA	NA
	Fuel tank	Ltr			52	52	52	69	69	69	
53	Fuel consumption	Ltr/h			☞	☞	☞	☞	☞	☞	
55	Transmission	With ICE drive			AT	AT	AT	AT	AT	AT	
OTHERS	57	Working pressure	For attachments	Mpa		18.1	18.1	18.1	18.1	18.1	15.7
	58	Noise level - standard engine	BITA/ISO Leq 3dB Doubling	dB(A)		☞	☞	☞	☞	☞	☞

SPECIFICATIONS

SPECIFICATION					Diesel						
	MANUFACTURER				HYSTER						
	1	Model			H1.5XT	H1.8XT	H2.0XTS	H2.0XT	H2.5XT	H3.0XT	H3.5XT
2	Capacity		kg		1500	1750	2000	2000	2500	3000	3500
3	Load centre		mm		500	500	500	500	500	500	500
4	Tyres				Pneumatic	Pneumatic	Pneumatic	Pneumatic	Pneumatic	Pneumatic	Pneumatic
5	Wheels	No. front/rear (x=Drive)			2X/2	2X/2	2X/2	2X/2	2X/2	2X/2	2X/2
DIMENSIONS	9	Lift height		mm	A	3000	3000	3000	3000	3000	3000
	10	Standard free lift		mm	B	145	145	150	155	155	160
	11	Fork carriage	Carriage width/ITA class		H	920/2	920/2	920/2	1020/2	1020/2	1070/3
	12	Fork	Thickness/width/length	mm		35/100/920	35/100/920	40/122/920	40/122/920	40/122/1070	45/122/1070
	13	Tilt of mast	Forward/backward	deg	C/D	6/10	6/10	6/10	6/10	6/10	6/10
	14	Fork spread	Max/min	mm	M/N	915/205	915/205	910/250	1010/250	1010/250	1060/250
	15	Overall length	Length to tip of forks	mm	F+G	3200	3240	3275	3470	3685	3835
	16	Truck length	Length to face of forks	mm	G	2280	2320	2355	2550	2615	2765
	17	Overall width	Tyre/frame	mm		1070/1070	1135/1070	1135/1070	1160/1140	1160/1140	1235/1140
	18	Overall width	Tyre/frame (Dual tread)	mm		1190/1070	1190/1070	1190/1070	1590/1140	1590/1140	1590/1140
	19	Height	Height with lowered mast	mm	P	1995	1995	1995	1995	1995	2060
	20	Height	Height with extended mast	mm	K	4105	4105	4105	4120	4120	4125
	21	Height	Height of overhead guard canopy	mm	J	2060	2060	2060	2130	2130	2150
22	Seat height		mm		920	920	920	990	990	1010	
23	Turning radius		mm	E	1960	1995	2030	2185	2245	2365	
24	Load length 'X'	Centre of front wheel to face of forks	mm		410	410	415	465	465	490	
25	Right angle stacking aisle width	Add load length and clearance	mm		2165	2205	2240	2470	2530	2650	
26	Travel speed	Laden/unladen with standard engine	km/h		17/18.0	17/18.5	17/18.5	17.5/19	17.5/19	17.5/18.5	
27	Travel speed	Laden/unladen with optional engine	km/h		17/18.0	17/18.5	17/18.5	17.5/19	17.5/19	17.5/18.5	
28	Lifting speed	Laden/unladen with standard engine	mm/s		675/710	665/710	655/710	620/670	610/670	560/570	
29	Lifting speed	Laden/unladen with optional engine	mm/s		NA	NA	NA	675/690	675/690	NA	
30	Lowering speed	Laden/unladen	mm/s		495/520	495/520	495/520	495/520	495/520	495/520	
31	Drawbar pull	Laden/unladen @ 1.5km/h with standard engine	N		17500	17400	17500	16700	16700	22300	
32	Drawbar pull	Laden/unladen @ 1.5km/h with optional engine	N		NA	NA	NA	21800	21900	NA	
33	Gradeability	Laden/unladen @ 1.5km/h with standard engine	%		36/24	32/22	29/20	26/26	22/23	27/22	
34	Gradeability	Laden/unladen @ 1.5km/h with optional engine	%		NA	NA	NA	35/26	30/23	NA	
WEIGHT	32	Unladen weight	Standard tread	kg		2700	2910	3130	3440	3770	4280
	33	Axle loads	Laden front/rear	kg		3630/550	4020/640	4430/700	4760/680	5500/780	6390/890
	34	Axle loads	Unladen front/rear	kg		1120/1420	1140/1770	1130/2000	1580/1860	1510/2260	1650/2630
CHASSIS AND WHEELS	36	Tyre sizes	Front (standard tread)			6.00-9-10PR	21x8-9-14PR	21x8-9-14PR	7.00-12-12PR	7.00-12-12PR	28x9-15-12PR
	37	Tyre sizes	Front (dual tread)			21x8-9-14PR	21x8-9-14PR	21x8-9-14PR	7.00-12-12PR	7.00-12-12PR	7.00-12-12PR
	38	Tyre sizes	Rear			5.00-8-8PR	18x7-8-10PR	18x7-8-10PR	6.00-9-10PR	6.00-9-10PR	6.50-10-10PR
	39	Wheelbase		mm	L	1410	1410	1410	1625	1625	1700
	40	Tread	Standard tread: front/rear	mm		915/905	950/930	950/930	970/1000	970/1000	1010/1000
	41	Tread	Dual tread: front/rear	mm		1000/905	1000/930	1000/930	1405/1000	1405/1000	1405/1000
	42	Ground clearance	At lowest point	mm	Q	110	110	110	120	120	140
	43	Ground clearance	Centre of wheel base	mm		120	120	120	190	190	210
44	Service brake	Mechanical/hydraulic/electric/pneumatic			Hydraulic	Hydraulic	Hydraulic	Hydraulic	Hydraulic	Hydraulic	
45	Parking brake	Foot/hand/dead man break			Hand	Hand	Hand	Hand	Hand	Hand	
DRIVE	49	Standard engine	Manufacturer/model			YANMAR 4TNE92	YANMAR 4TNE92	YANMAR 4TNE92	YANMAR 4TNE92	YANMAR 4TNE92	YANMAR 4TNE98
	50		Permanent output	kW		32.8	32.8	32.8	32.8	32.8	50.6
	51		At revs	rpm		2050	2050	2050	2050	2050	2300
	52		Rated torque	Nm/rpm		150/1400	150/1400	150/1400	150/1400	150/1400	198/1600
	53	No. of cylinder/cubic capacity	cm ³		4/2659	4/2659	4/2659	4/2659	4/2659	4/3319	
	49	Optional engine	Manufacturer/model			NA	NA	NA	YANMAR 4TNE98	YANMAR 4TNE98	NA
	50		Permanent output	kW		NA	NA	NA	50.6	50.6	NA
	51		At revs	rpm		NA	NA	NA	2300	2300	NA
52	Rated torque		Nm/rpm		NA	NA	NA	198/1600	198/1600	NA	
53	No. of cylinder/cubic capacity	cm ³		NA	NA	NA	4/3319	4/3319	NA		
54	Fuel tank		Ltr		52	52	52	69	69	69	
55	Fuel consumption		Ltr/h		☞	☞	☞	☞	☞	☞	
56	Transmission	With ICE drive			AT	AT	AT	AT	AT	AT	
OTHERS	57	Working pressure	For attachments	Mpa		18.1	18.1	18.1	18.1	18.1	15.7
	58	Noise level - standard engine	BITA/ISO Leq 3dB Doubling	dB(A)		☞	☞	☞	☞	☞	☞

SPECIFICATIONS

					Diesel – Tier 4					
SPECIFICATION	MANUFACTURER				HYSTER					
	1	Model			H2.0XT	H2.5XT	H3.0XT	H3.5XT		
	2	Capacity								
	3	Load centre								
	4	Tyres								
	7	Wheels								
	8	No. front/rear (x=Drive)								
	8				2X/2	2X/2	2X/2	2X/2		
DIMENSIONS	9	Lift height		mm	A	3000	3000	3000	3000	
	10	Standard free lift		mm	B	155	155	160	165	
	12	Fork carriage	Carriage width/TA class		H	1020/2	1020/2	1070/3	1070/3	
	13	Fork	Thickness/width/length		mm	40/122/920	40/122/1070	45/122/1070	50/150/1070	
	14	Tilt of mast	Forward/backward		deg	C/D	6/10	6/10	6/10	
	14	Fork spread	Max/min		mm	M/N	1010/250	1010/250	1060/250	1065/305
	15	Overall length	Length to tip of forks		mm	F+G	3470	3685	3835	3905
	15	Truck length	Length to face of forks		mm	G	2550	2615	2765	2835
	16	Overall width	Tyre/frame		mm		1160/1140	1160/1140	1235/1140	1235/1140
	16A	Overall width	Tyre/frame (Dual tread)		mm		1590/1140	1590/1140	1590/1140	1490/1140
	17	Height	Height with lowered mast		mm	P	1995	1995	2060	2140
	18		Height with extended mast		mm	K	4120	4120	4120	4120
	19		Height of overhead guard canopy		mm	J	2130	2130	2150	2150
	20	Seat height		mm			990	990	1010	1010
21	Turning radius		mm	E		2185	2245	2365	2415	
22	Load length 'X'	Centre of front wheel to face of forks		mm		465	465	490	505	
23	Right angle stacking aisle width	Add load length and clearance		mm		2470	2530	2650	2715	
PERFORMANCE	24	Travel speed	Laden/unladen with standard engine		km/h	18/19.5	18/19.5	17.5/18.5	17.5/18.5	
	Laden/unladen with optional engine			km/h	NA	NA	NA	NA		
	25	Lifting speed	Laden/unladen with standard engine		mm/s	675/700	675/700	560/575	490/505	
	Laden/unladen with optional engine			mm/s	NA	NA	NA	NA		
	26	Lowering speed	Laden/unladen		mm/s	495/520	495/520	495/520	495/520	
		Drawbar pull	Laden/unladen @ 1.5km/h with standard engine		N	21600	21700	22200	20300	
Laden/unladen @ 1.5km/h with optional engine				N	NA	NA	NA	NA		
	Gradeability	Laden/unladen @ 1.5km/h with standard engine		%	35/25	30/22	26/21	21/19		
		Laden/unladen @ 1.5km/h with optional engine		%	NA	NA	NA	NA		
WEIGHT	32	Unladen weight	Standard tread		kg	3650	3790	4290	4690	
	33	Axle loads	Laden front/rear		kg	5080/580	5550/740	6470/840	7410/910	
	34		Unladen front/rear		kg	1870/1780	1570/2220	1720/2580	1760/2960	
CHASSIS AND WHEELS	36	Tyre sizes	Front (standard tread)			7.00-12-12PR	7.00-12-12PR	28x9-15-12PR	28x9-15 SOLID	
			Front (dual tread)			7.00-12-12PR	7.00-12-12PR	7.00-12-12PR	6.00-15 SOLID	
			Rear			6.00-9-10PR	6.00-9-10PR	6.50-10-10PR	6.50-10 SOLID	
	38	Wheelbase		mm	L	1625	1625	1700	1700	
	39	Tread	Standard tread: front/rear		mm		970/1000	970/1000	1010/1000	1010/1000
			Dual tread: front/rear		mm		1405/1000	1405/1000	1405/1000	1330/1000
	40	Ground clearance	At lowest point		mm	Q	120	120	140	140
	41		Centre of wheel base		mm		190	190	210	210
42	Service brake	Mechanical/hydraulic/electric/pneumatic				Hydraulic	Hydraulic	Hydraulic	Hydraulic	
43	Parking brake	Foot/hand/dead man break				Hand	Hand	Hand	Hand	
DRIVE	49	Standard engine	Manufacturer/model			KUBOTA V2403	KUBOTA V2403	KUBOTA V2403	KUBOTA V2403	
			Permanent output		kW	43	43	43	43	
			At revs		rpm	2400	2400	2400	2400	
			Rated torque		Nm/rpm	199/1500	199/1500	199/1500	199/1500	
	52	Optional engine	No. of cylinder/cubic capacity		cm ³	4/2434	4/2434	4/2434	4/2434	
	49		Manufacturer/model			NA	NA	NA	NA	
	50		Permanent output		kW	NA	NA	NA	NA	
	51		At revs		rpm	NA	NA	NA	NA	
	51		Rated torque		Nm/rpm	NA	NA	NA	NA	
	52		No. of cylinder/cubic capacity		cm ³	NA	NA	NA	NA	
53	Fuel tank	Fuel tank		Ltr	69	69	69	69		
		Fuel consumption		Ltr/h	☞	☞	☞	☞		
55	Transmission	With ICE drive				AT	AT	AT	AT	
OTHERS	57	Working pressure	For attachments		Mpa	18.1	18.1	18.1	15.7	
	58	Noise level - standard engine	BITA/ISO Leq 3dB Doubling		dB(A)	☞	☞	☞	☞	

MAST SPECIFICATIONS

H1.5XT				
2-Stage Limited Free Lift Vista Mast				
Maximum Fork Height mm	Back Tilt deg	Overall Lowered Height mm	Overall Extended Height mm	Free Lift mm
3035	10	1995	4105	145
3335	10	2145	4405	145
3535	10	2245	4605	145
3735	10	2345	4805	145
4035	6	2595	5105	145
4335	6	2745	5405	145
4535	6	2845	5605	145
4835	6	2995	5905	145
5035	6	3095	6105	145
2-Stage Full Free Lift Vista Mast				
3025	10	1995	4095	925
3325	10	2145	4395	1075
3525	10	2245	4595	1175
3725	10	2345	4795	1275
4125	6	2595	5195	1525
3-Stage Full Free Lift Vista Mast				
4025	6	1895	5095	825
4375	6	1995	5445	925
4525	6	2045	5595	975
4825	6	2145	5895	1075
5125	6	2245	6195	1175
5425	6	2345	6495	1275
6025	6	2595	7095	1525

H1.8XT				
2-Stage Limited Free Lift Vista Mast				
Maximum Fork Height mm	Back Tilt deg	Overall Lowered Height mm	Overall Extended Height mm	Free Lift mm
3035	10	1995	4105	145
3335	10	2145	4405	145
3535	10	2245	4605	145
3735	10	2345	4805	145
4035	6	2595	5105	145
4335	6	2745	5405	145
4535	6	2845	5605	145
4835	6	2995	5905	145
5035	6	3095	6105	145
2-Stage Full Free Lift Vista Mast				
3025	10	1995	4095	925
3325	10	2145	4395	1075
3525	10	2245	4595	1175
3725	10	2345	4795	1275
4125	6	2595	5195	1525
3-Stage Full Free Lift Vista Mast				
4025	6	1895	5095	825
4375	6	1995	5445	925
4525	6	2045	5595	975
4825	6	2145	5895	1075
5125	6	2245	6195	1175
5425	6	2345	6495	1275
6025	6	2595	7095	1525

H2.0XTS				
2-Stage Limited Free Lift Vista Mast				
Maximum Fork Height mm	Back Tilt deg	Overall Lowered Height mm	Overall Extended Height mm	Free Lift mm
3040	10	1995	4105	150
3340	10	2145	4405	150
3540	10	2245	4605	150
3740	10	2345	4805	150
4040	6	2595	5105	150
4340	6	2745	5405	150
4540	6	2845	5605	150
4840	6	2995	5905	150
5040	6	3095	6105	150
2-Stage Full Free Lift Vista Mast				
3030	10	1995	4095	930
3330	10	2145	4395	1080
3530	10	2245	4595	1180
3730	10	2345	4795	1280
4130	6	2595	5195	1530
3-Stage Full Free Lift Vista Mast				
4030	6	1895	5095	830
4380	6	1995	5445	930
4530	6	2045	5595	980
4830	6	2145	5895	1080
5130	6	2245	6195	1180
5430	6	2345	6495	1280
6030	6	2595	7095	1530

H2.0-2.5XT				
2-Stage Limited Free Lift Vista Mast				
Maximum Fork Height mm	Back Tilt deg	Overall Lowered Height mm	Overall Extended Height mm	Free Lift mm
3050	10	1995	4120	155
3350	10	2170	4420	155
3550	10	2270	4620	155
3750	10	2420	4820	155
4050	10	2620	5120	155
4350	6	2770	5420	155
4550	6	2870	5620	155
4850	6	3020	5920	155
5050	6	3120	6120	155
2-Stage Full Free Lift Vista Mast				
3000	10	1995	4070	925
3390	10	2270	4460	1200
3590	10	2370	4660	1300
3840	10	2520	4910	1450
4190	6	2720	5260	1650
3-Stage Full Free Lift Vista Mast				
4135	6	1970	5210	900
4345	6	2040	5420	970
4585	6	2120	5660	1050
4840	6	2205	5910	1135
5035	6	2270	6110	1200
5335	6	2370	6410	1300
5535	6	2470	6610	1400
5685	6	2520	6760	1450
6035	6	2720	7110	1650

MAST SPECIFICATIONS

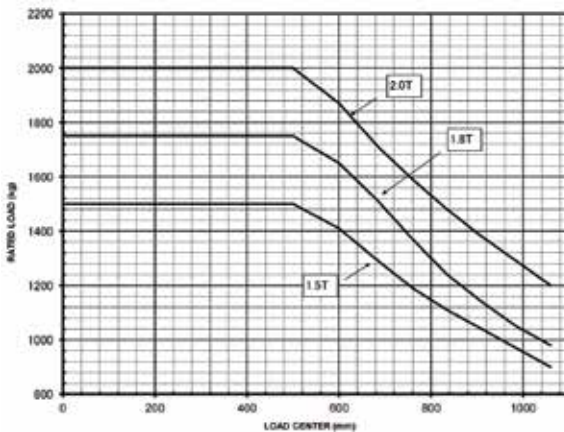
H3.0XT				
2-Stage Limited Free Lift Vista Mast				
Maximum Fork Height mm	Back Tilt deg	Overall Lowered Height mm	Overall Extended Height mm	Free Lift mm
3055	10	2060	4125	160
3355	10	2210	4425	160
3555	10	2310	4625	160
3755	10	2440	4825	160
4055	10	2640	5125	160
4355	6	2790	5425	160
4555	6	2890	5625	160
4855	6	3040	5925	160
5055	6	3140	6125	160
2-Stage Full Free Lift Vista Mast				
3080	10	2140	4150	1070
3380	10	2290	4450	1220
3580	10	2390	4650	1320
3830	10	2540	4900	1470
4180	6	2740	5250	1670
3-Stage Full Free Lift Vista Mast				
4125	6	1990	5195	920
4335	6	2060	5405	990
4575	6	2140	5645	1070
4705	6	2225	5775	1155
5025	6	2390	6095	1320
5325	6	2540	6395	1470
5525	6	2640	6595	1570
5725	6	2740	6795	1670
6025	6	2890	7095	1820

H3.5XT				
2-Stage Limited Free Lift Vista Mast				
Maximum Fork Height mm	Back Tilt deg	Overall Lowered Height mm	Overall Extended Height mm	Free Lift mm
3060	10	2140	4080	165
3360	10	2290	4380	165
3560	10	2390	4580	165
3760	10	2490	4780	165
4060	10	2690	5080	165
4360	6	2840	5380	165
4560	6	2940	5580	165
4860	6	3090	5880	165
5060	6	3190	6080	165
2-Stage Full Free Lift Vista Mast				
3085	10	2190	4105	1120
3385	10	2340	4405	1270
3585	10	2440	4605	1370
3835	10	2590	4855	1520
4185	6	2790	5205	1720
3-Stage Full Free Lift Vista Mast				
4130	6	2040	5150	970
4340	6	2110	5360	1040
4580	6	2190	5600	1120
4830	6	2340	5850	1270
5030	6	2440	6050	1370
5330	6	2590	6350	1520
5530	6	2690	6550	1620
5730	6	2790	6750	1720
6030	6	2940	7050	1870

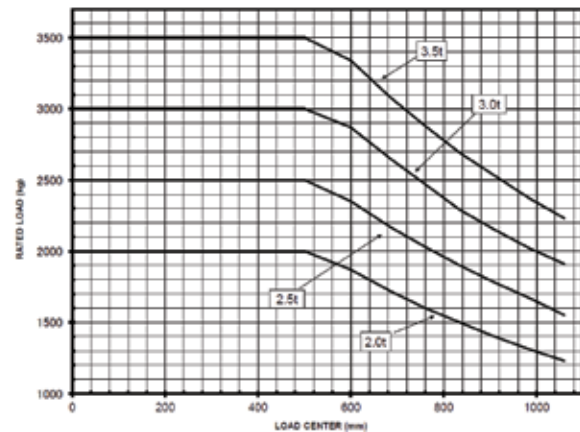
Note: Overall extended height and free lift assume standard load back rest height of 1070mm.

CAPACITY CHARTS

STANDARD CARRIAGE - H1.5-1.8XT, H2.0XTS



STANDARD CARRIAGE - H2.0-3.5XT



STANDARD FEATURES AND OPTIONS

★ STANDARD FEATURES

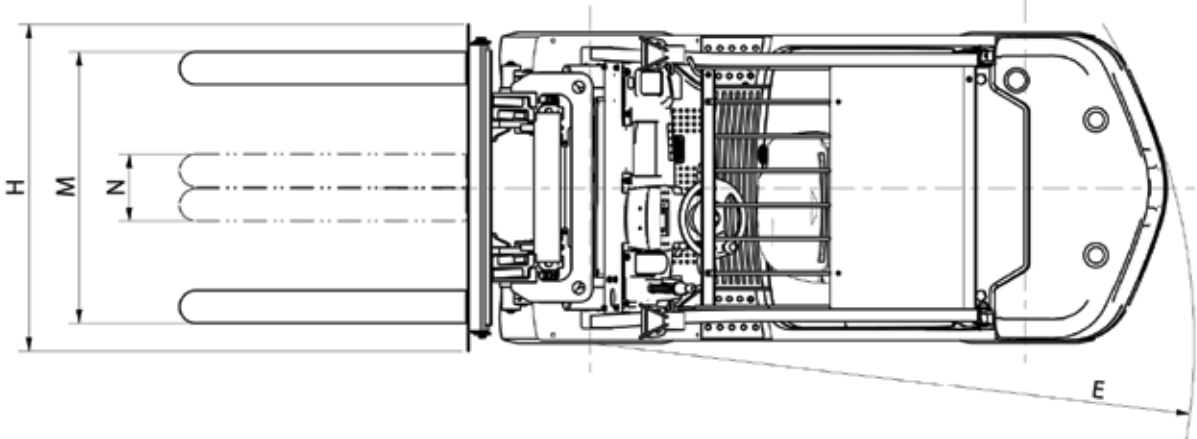
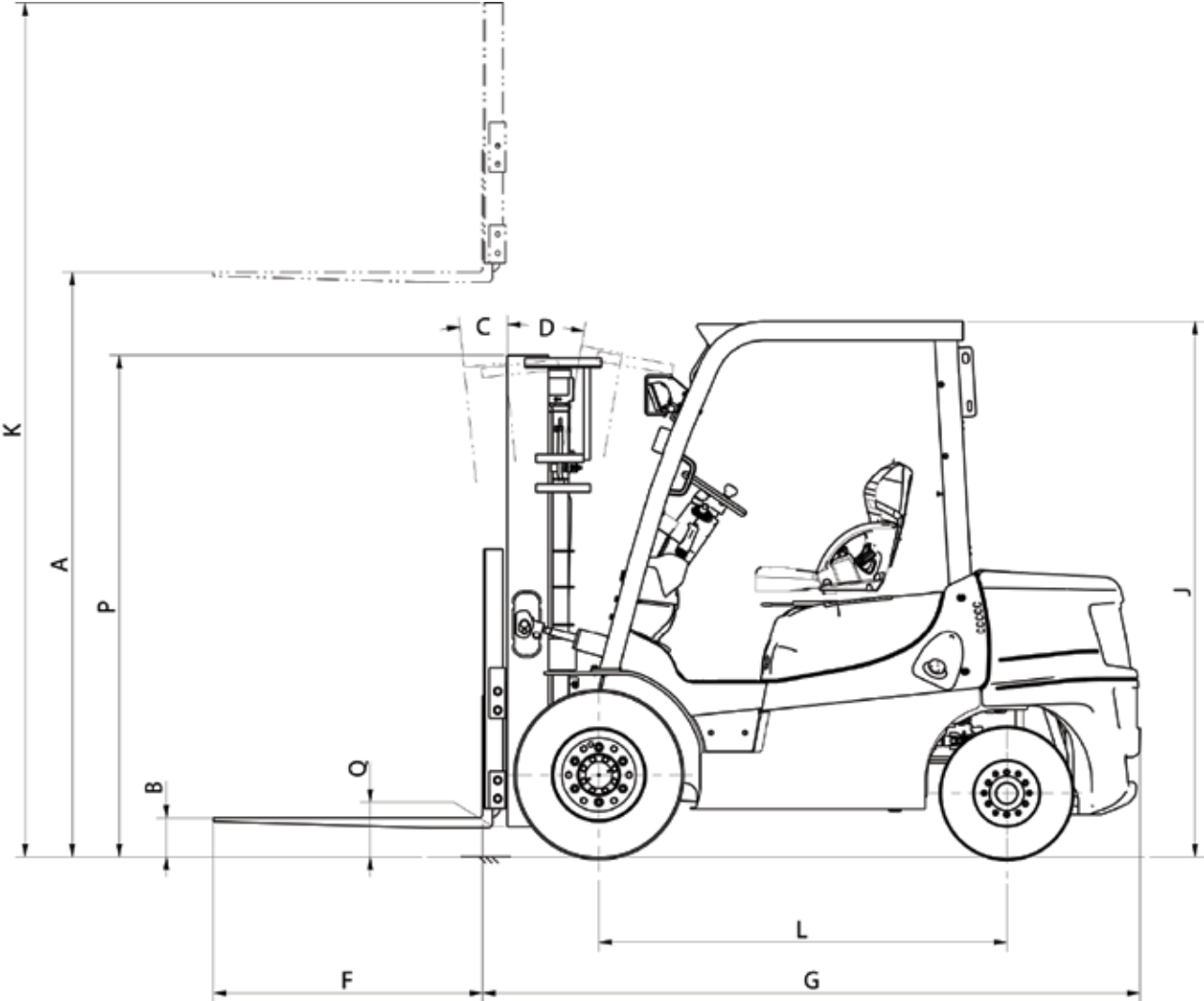
- 2 Stage LFL mast
- Operator presence
 - Hydraulic interlock
 - Travel interlock
- Cowl mounted levers
- Trunnion mount mast
- Full halogen light kit including turn indicators
- Head light guards
- Rotating LED beacon
- Swing down LPG bracket
- Small diameter steering wheel
- Rubber floor mat
- Entry assist grip
- Electric directional shift lever
- Neutral start
- Reverse alarm
- Separate inch/brake pedal
- Comprehensive dash display
- Single element air cleaner
- Rubber mount rear axle
- Wide mast with wide field vision

★ OPTIONAL FEATURES

- Engine options – LPG, Diesel, Dual Fuel
- Mast options
 - 2 Stage LFL mast – 3000mm to 5000mm lift
 - 2 Stage FFL mast – 3300mm to 4100mm lift
 - 3 Stage FFL mast – 4000mm to 6000mm lift
- Integral side shift carriage
- Fork lengths – 920mm to 2120mm
- Tyre options – pneumatic, solid, non-marking
- Control valve options
- Front screens
- Rain covers
- Cabs
- Pre-cleaner for air filter
- LED lighting
- Speed meter
- Load weight meter
- Special paint
- Reverse assist grip with horn button
- ForkTrack Fleet Management System



DIMENSIONS



Adaptalift Hyster offer a complete range of forklifts and industrial solutions, including sales and hire, fleet management, service and parts.



Established in 1934, Hyster Forklifts have lead the way in design and reliability of materials handling equipment. A complete range of equipment is available, from powered pallet trucks to 52 tonne container handlers, with a variety of fuel types including LPG, Battery Electric and Diesel. So whatever size load you're handling, we can supply the solution.

Adaptalift began as Forklift Engineering Australia, which was founded in 1982 to design and manufacture forklift attachments. As demand grew for these attachments to be supplied with forklifts, Adaptalift Forklift Rentals & Sales was formed. Adaptalift has grown rapidly to become the largest Australian privately owned and operated forklift company, with a fleet of over 10,500 units nationwide. The combined strength of Adaptalift and Hyster Forklifts will revolutionise materials handling in this country.

AAL Hyster's reputation has been built on total commitment to customer service while providing the most reliable, flexible and cost effective solutions to materials handling and fleet management requirements. Several top 20 companies are already taking advantage of AAL Hyster's National Network.

With sales and service centres Australia wide, in all metropolitan & major regional areas, and a commitment to expand this network nationally, AAL Hyster guarantee industry leading response and efficient service. We at AAL Hyster understand the concept of 'partnership'. Our exceptional customer retention rate and long standing customer relationships are testimony to the fact AAL Hyster does it better.



Your Total Service Solution

The Adaptalift Hyster Service program offers:



Priority Customer

Adaptalift Hyster Premium Service ensures your servicing needs are our priority. Adaptalift Hyster Premium Service members are priority customers and take precedence when requiring service or maintenance assistance



Exclusive Offers and Deals

Adaptalift Hyster Premium Service members receive exclusive offers and deals on equipment, servicing and parts including a superior hourly rate



Assigned Representative

Access to an assigned Aftermarket Representative who can provide expert advice and industry knowledge as well as ensuring dependable and consistent communication in relation to your forklift fleet maintenance



Fixed Service Pricing

Fixed service pricing for the first 12 months which assists with maintenance budget management for your business



Safety Checks

Rigorous safety checks specific to your make and model of equipment is conducted and any safety related issues are communicated immediately



Clear Pricing Structure

Any additional repairs are quoted and sent to your company with a clear pricing structure for review and approval prior to commencement



Scheduled Maintenance

A planned scheduled maintenance and servicing program tailored to fit with your shift patterns, hours and applications which is pre-booked to ensure no added maintenance responsibility to your business



24/7 Support

In the event of you requiring a technician onsite to tend to a breakdown, you can contact our Service Centre 24/7 on 1300 7 FLEET (1300 7 35338)



Waste Removal

Waste removal from your site by our technicians and disposal in line with Adaptalift Hyster's own Duty of Care

Branches

VICTORIA

Melbourne - Springvale

- 📍 (Head Office)
1574 Centre Rd
Springvale, VIC, 3171
- ☎ [03] 9547 8000

Melbourne - Truganina

- 📍 42-44 Jessica Way
Truganina, VIC, 3029
- ☎ [03] 9394 4090

TASMANIA

Tasmania

- 📍 87a Devonport Road
Spreyton, TAS, 7310
- ☎ [03] 6427 3966

NEW SOUTH WALES

Sydney (State Office)

- 📍 219 Newton Rd
Wetherill Park, NSW, 2164
- ☎ [02] 8788 1777

Riverina

- 📍 5 Favell Street
Griffith, NSW, 2680
- ☎ [02] 6962 7343

Newcastle

- 📍 3/46 Munibung Rd
Cardiff, 2285
- ☎ [02] 4954 7724

QUEENSLAND

Brisbane (State Office)

- 📍 11 Lombank Street
Acacia Ridge, QLD, 4110
- ☎ [07] 3373 5111

Rockhampton

- 📍 62 Glenmore Road
Park Avenue, Rockhampton
QLD 4700
- ☎ [07] 4922 8874

Townsville

- 📍 39 Duckworth Street
Garbutt, QLD, 4814
- ☎ [07] 4778 2000

SOUTH AUSTRALIA

Adelaide (State Office)

- 📍 18-22 Churchill Rd. Nth.
Dry Creek, SA, 5094
- ☎ [08] 8360 3444

Mt. Gambier

- 📍 1 Avey Road
Mt. Gambier, SA, 5290
- ☎ [08] 8725 7809

WESTERN AUSTRALIA

Perth (State Office)

- 📍 Unit 1, 1-9 Kurnall Road
Welshpool, WA, 6106
- ☎ [08] 9352 9200

Service Centres

Victoria

- Bendigo
- Warrnambool
- Ballarat
- Shepparton
- Albury / Wodonga

Tasmania

- Hobart
- Launceston
- Burnie

New South Wales

- Dubbo
- Griffith
- Uralba
- Tamworth
- Newcastle
- Wollongong
- Canberra
- Tumut
- Bathurst
- Wagga Wagga

Queensland

- Rockhampton
- Mackay
- Cairns

South Australia/NT

- Mildura
- Riverland
- Darwin

Western Australia

- Margaret River



13 22 54

aalhysterforklifts.com.au